

# Iradion<sup>®</sup> Z30 and Z40 Watt

Model 162, 163 and 164



## Specifications

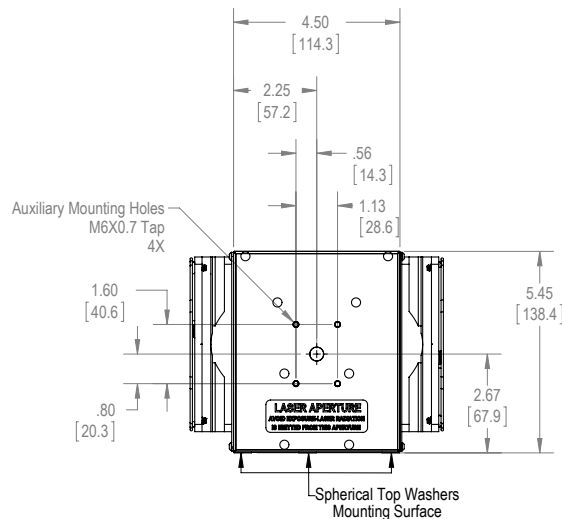
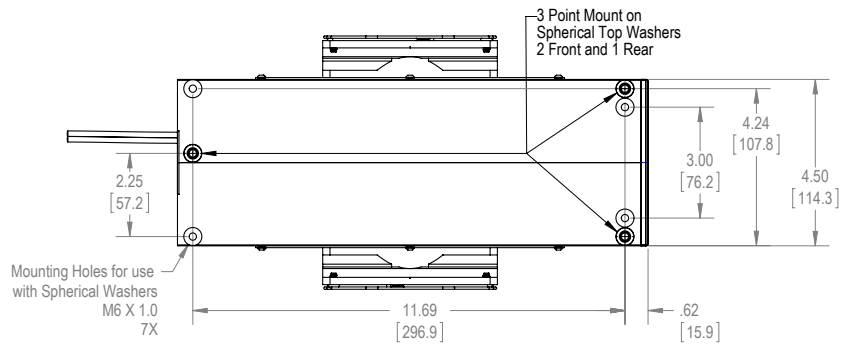
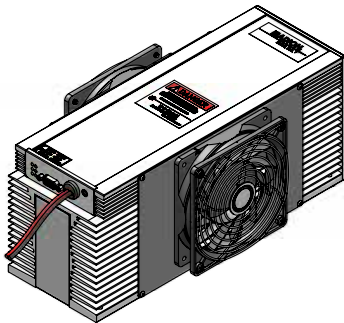
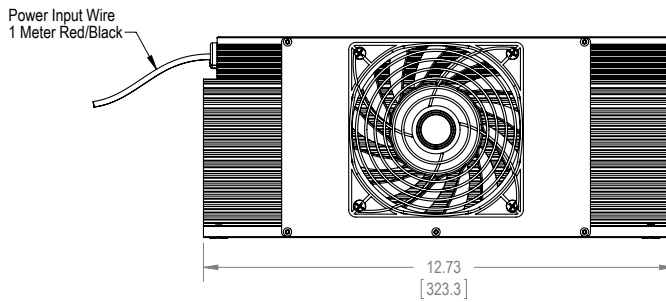
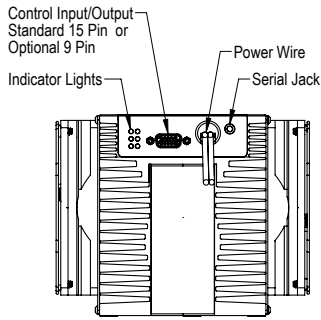
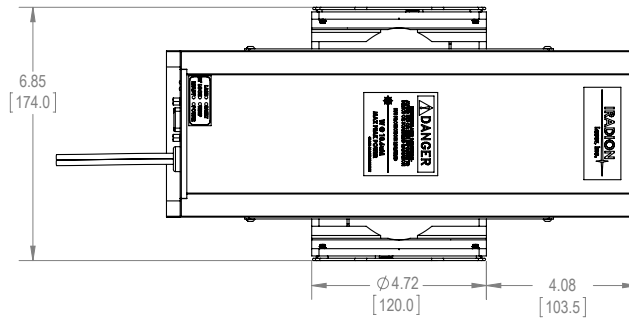
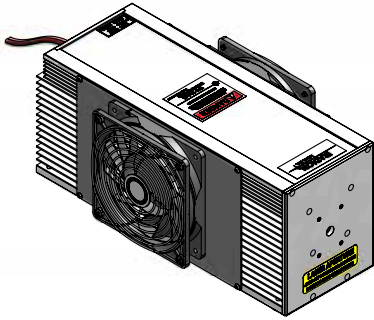
Model	Model 162	Model 163	Model 164
Rated Optical Power (Watt)	25	30	40
Mode Quality (M2)	$\leq 1.2$	$\leq 1.2$	$\leq 1.2$
Beam Ellipticity	<1.2:1	<1.2:1	<1.2:1
Beam Diameter (mm) $1/e^2$	2.3+/-0.3	2.3+/-0.3	2.3+/-0.3
Beam Divergence (mR, full angle)	<7.0 m Rad	<7.0 m Rad	<7.0 m Rad
Wavelength ( $\mu\text{M}$ )	9.3	10.6 / 10.2	10.6 / 10.2
Rise Time ( $\mu\text{S}$ )	< 75	< 75	< 75
Power Stability from cold (%)	+/-7 % from cold, guaranteed +/-2 % after 2 mins typical	+/-5 % from cold, guaranteed +/-3 % after 2 mins typical	+/-5 % from cold, guaranteed +/-3 % after 2 mins typical
Polarization	Random	Random	Random
Cooling	Air	Air	Air
Flow Rate (air)	140CFM x2	140CFM x2	140CFM x2
Input power (Watts)	600 W	480 W	600 W
Input Voltage / Current	40V / 15A	48V / 10A	40V / 15A
Weight (Kg / Lbs.)	9.5 / 21	9.5 / 21	9.5 / 21

Specifications are preliminary and subject to change without notice.

[www.iradionlaser.com](http://www.iradionlaser.com)

**IRADION**  
Ceramic Core CO<sub>2</sub> Lasers

# Dimensions



**Iradian Laser, Inc.**  
**51 Industrial Drive**  
**N. Smithfield, RI 02896**  
**Tel: +1-401-762-5100**  
**Fax: +1-401-762-5111**  
**www.iradionlaser.com**



Invisible Laser Radiation  
 Avoid eye skin exposure to direct  
 or scattered radiation.  
 Class 4 Laser Product

**RoHS**