

# Iradion<sup>®</sup> 200 and 250 Watt

Model 1620 and 1625



PN 92-3014 B

## Specifications

Model	Infinity 1620	Infinity 1625
Rated Optical Power (Watts)	200	250
Mode Quality (M2)	≤1.2	
Beam Ellipticity	<1.2:1	
Beam Diameter (mm) 1/e <sup>2</sup>	2.5	
Beam Divergence (mR, full angle)	5.2	
Wavelength (μM)	10.57-10.63	
Rise Time (μS)	< 75	
Power Stability from cold (%)	<± 4 %	
Polarization	Vertical to mounting plane	
Cooling	Water	
Flow Rate (l/m g/m)	> 9.8, 2.6	
Input power (Watts)	2800	
Input Voltage / Current	50V / 56A	
Weight (Kg / Lbs.)	23 / 50	
Pulse Duration (ms)	1 - 3	
Repetition Rate (khz)	1 - 150	

Specifications are preliminary and subject to change without notice.

## Laser Interface

Connectors:	15 pin D	RJ45
Fire command	Yes	Yes
Interlock	Yes	Yes
Fault signal	Yes	Yes
RS232 comm*	Yes	Yes
Ready signal	Yes	No
Key Switch control	Yes	No
Forward RF sig.	Yes	No
Reflected RF sig.	Yes	No
Lase Light signal	Yes	No
Temperature Warn	Yes	No

\*The laser control card can be monitored via RS232 communications. A variety of signals, laser information, and the temperature can be interfaced to your host controller.

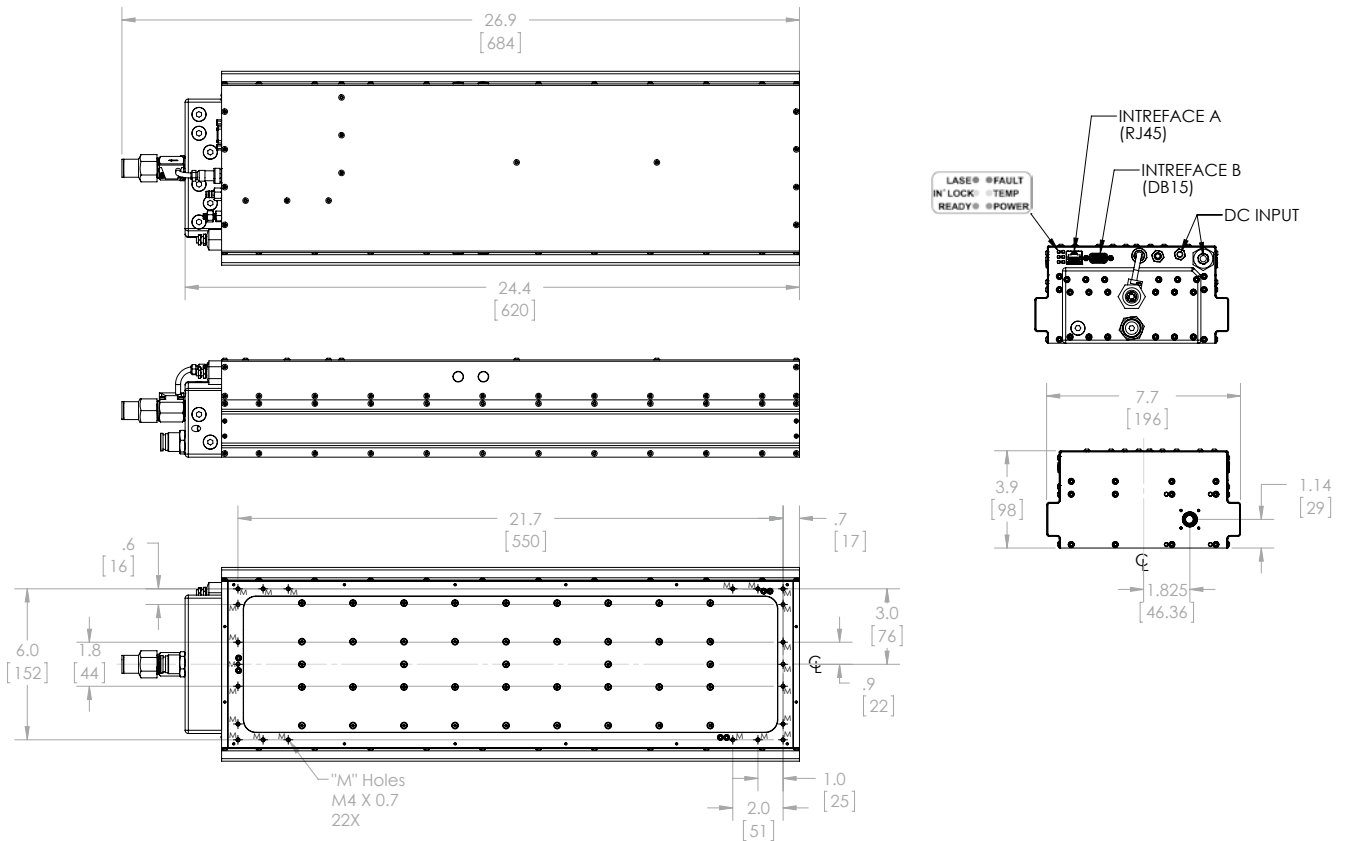
### Indicator lights:

LASE	●	●	FAULT
IN LOCK	●	●	TEMP
READY	●	●	POWER

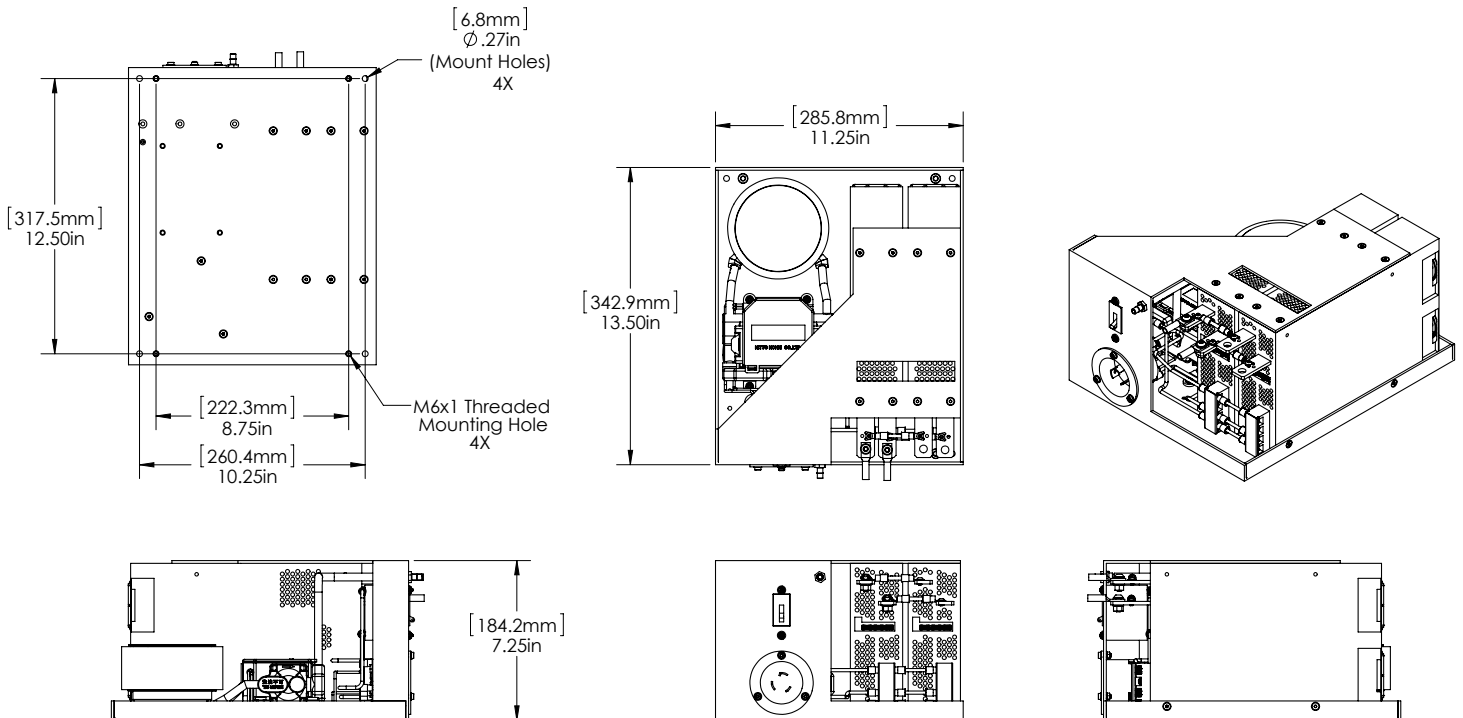
[www.iradionlaser.com](http://www.iradionlaser.com)

**IRADiON**  
Ceramic Core CO<sub>2</sub> Lasers

# Dimensions



# Dual Power Supply Assembly



**Iradian Laser, Inc.**  
**51 Industrial Drive**  
**N. Smithfield, RI 02896**  
**Tel: +1-401-762-5100**  
**Fax: +1-401-762-5111**  
**www.iradionlaser.com**



Invisible Laser Radiation  
 Avoid eye Skin exposure to direct  
 or scattered radiation.  
 Class 4 Laser Product

**RoHS**